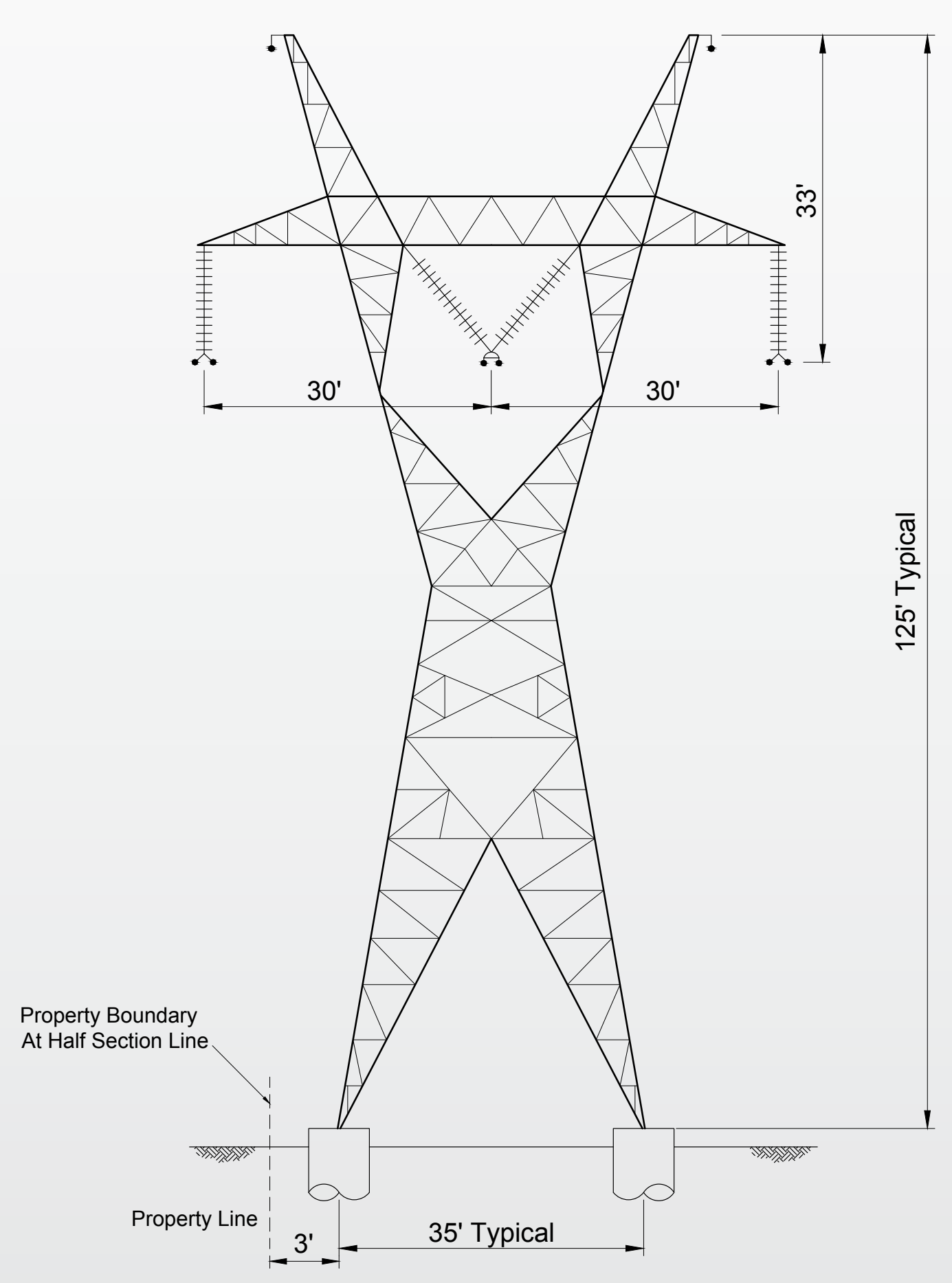
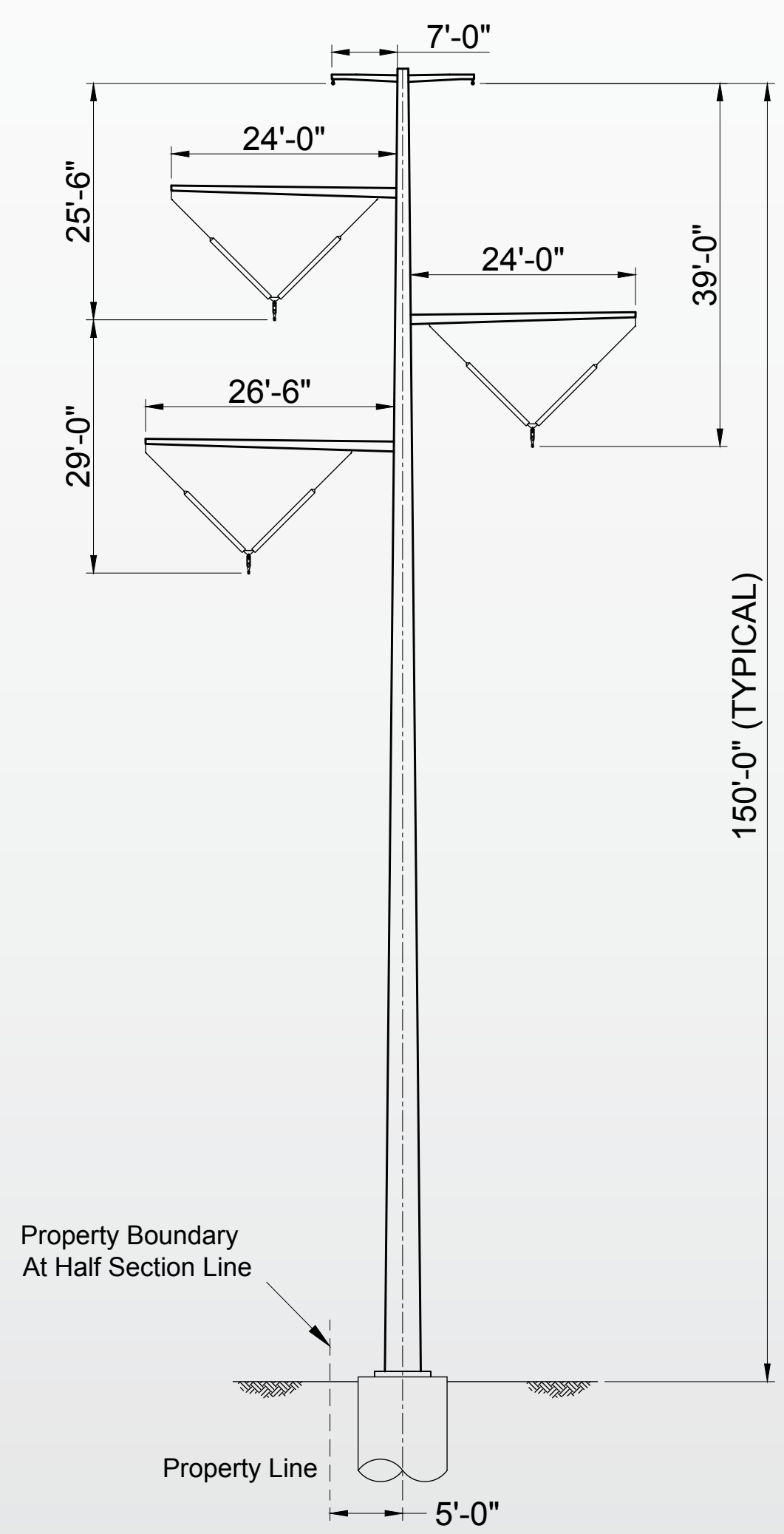
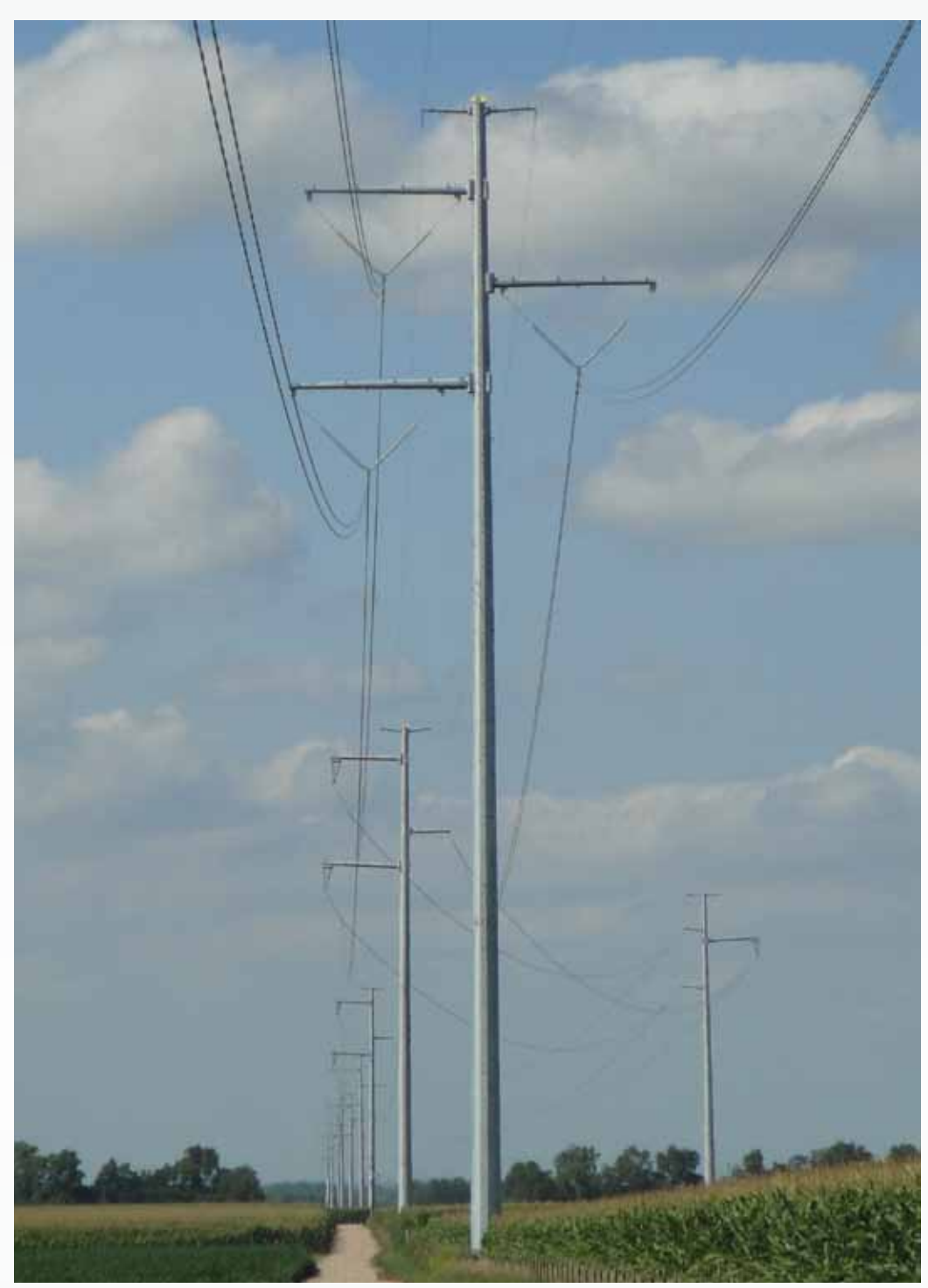


Typical 345 kV Single Circuit Structure Types

Lattice Tower



Single Pole



Nebraska Public Power District
Always there when you need us