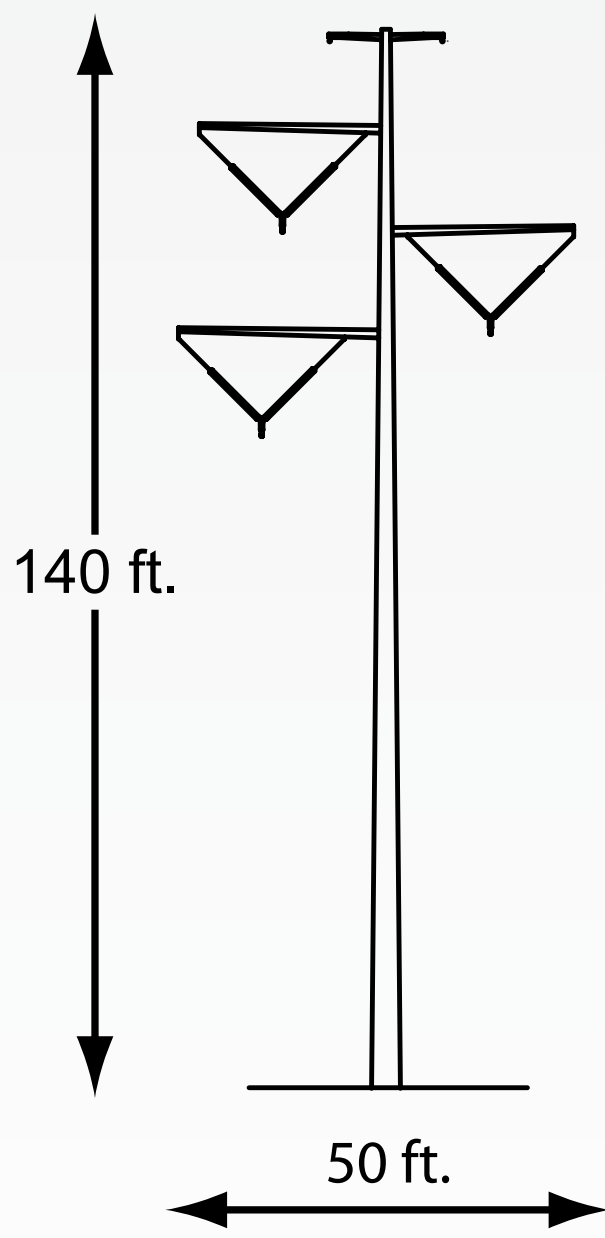


Line Capabilities

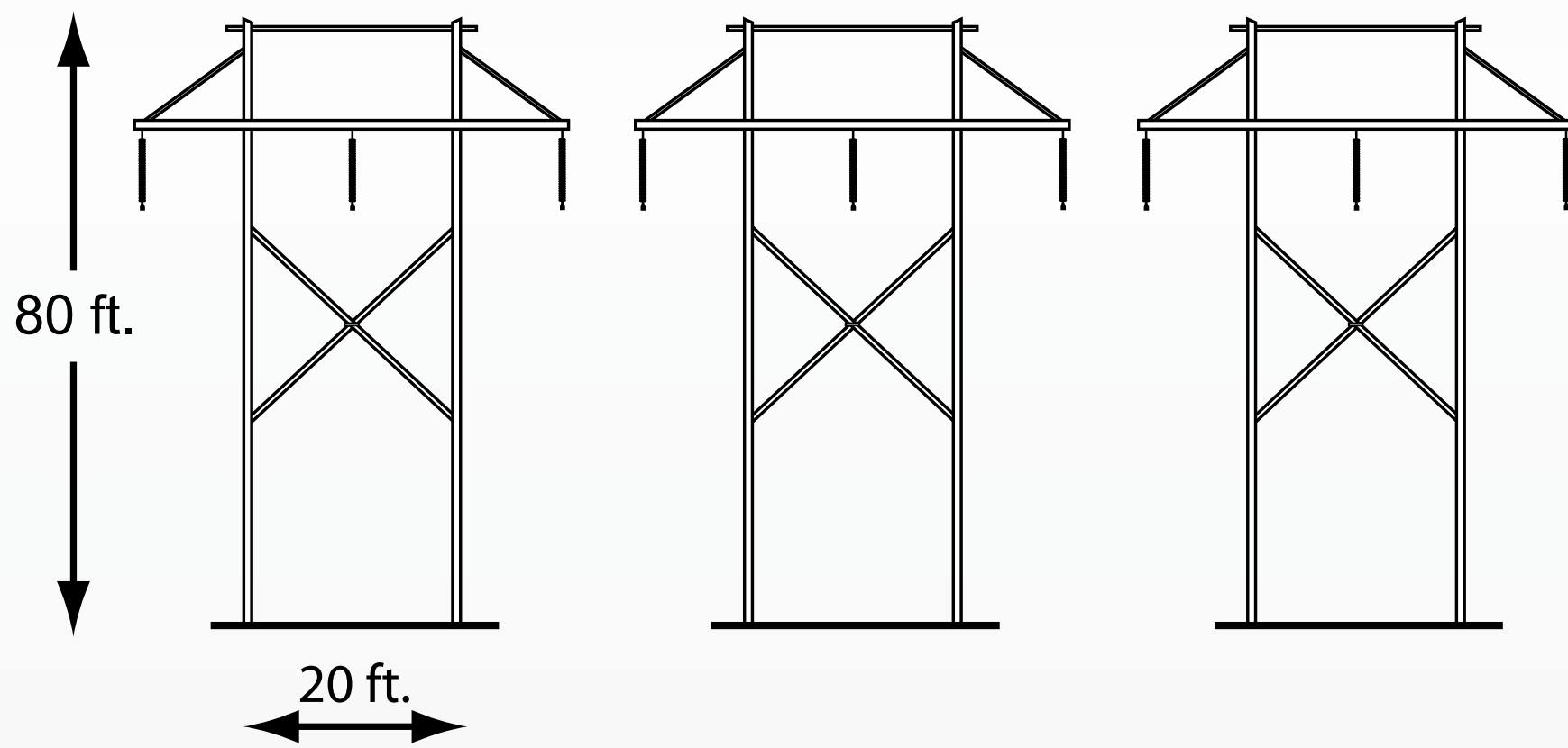
345 kV



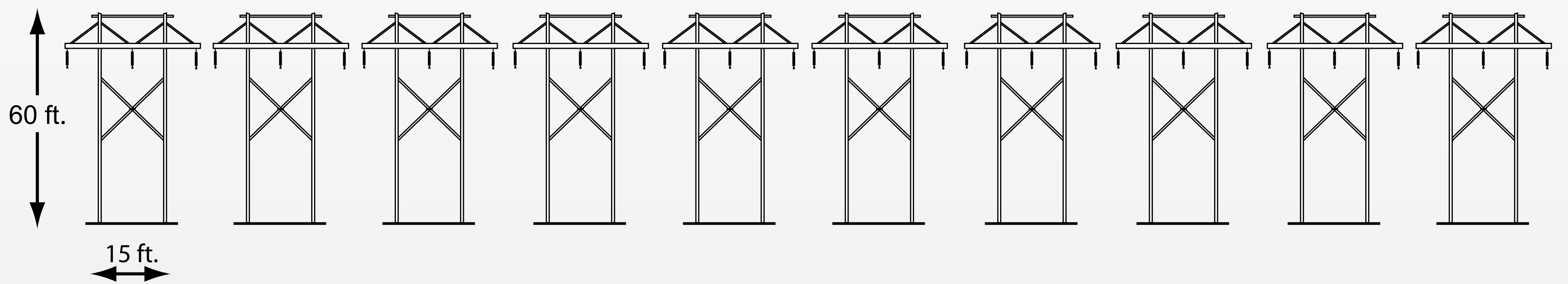
A typical 345,000 - volt transmission line has the capacity of:

- Three 230,000 - volt lines,
- Ten 115,000 - volt transmission lines,
- Twenty 69,000 - volt lines

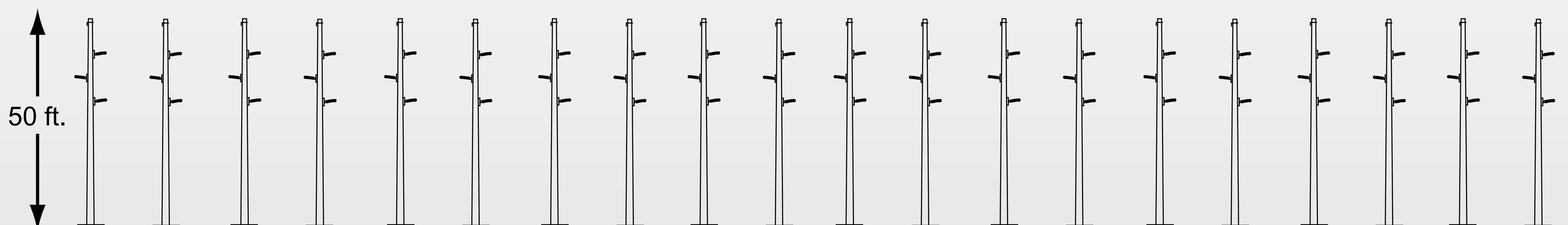
230 kV



115 kV



69 kV



Nebraska Public Power District
Always there when you need us