

Typical 345 kV Single Circuit Structure Types

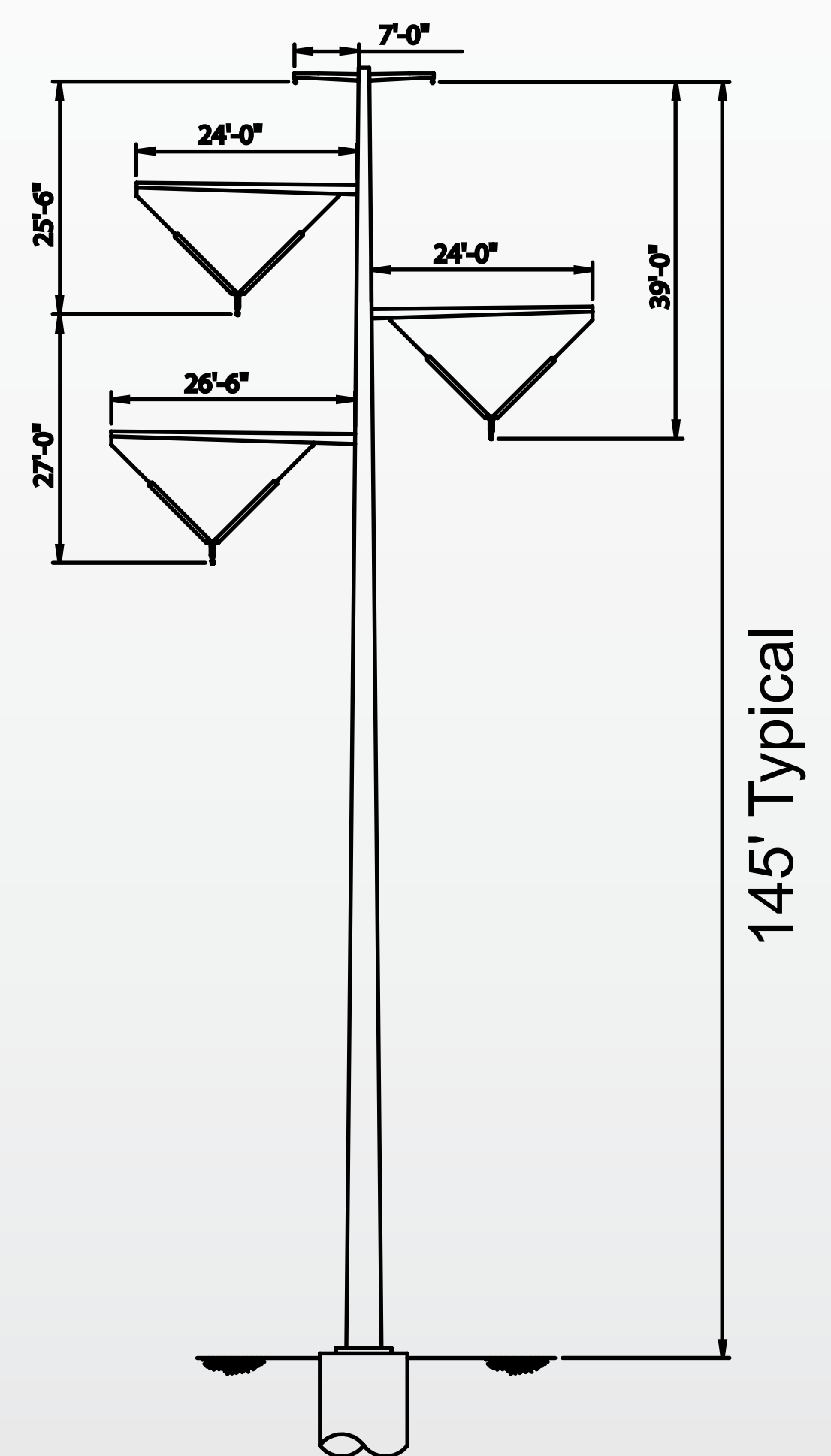
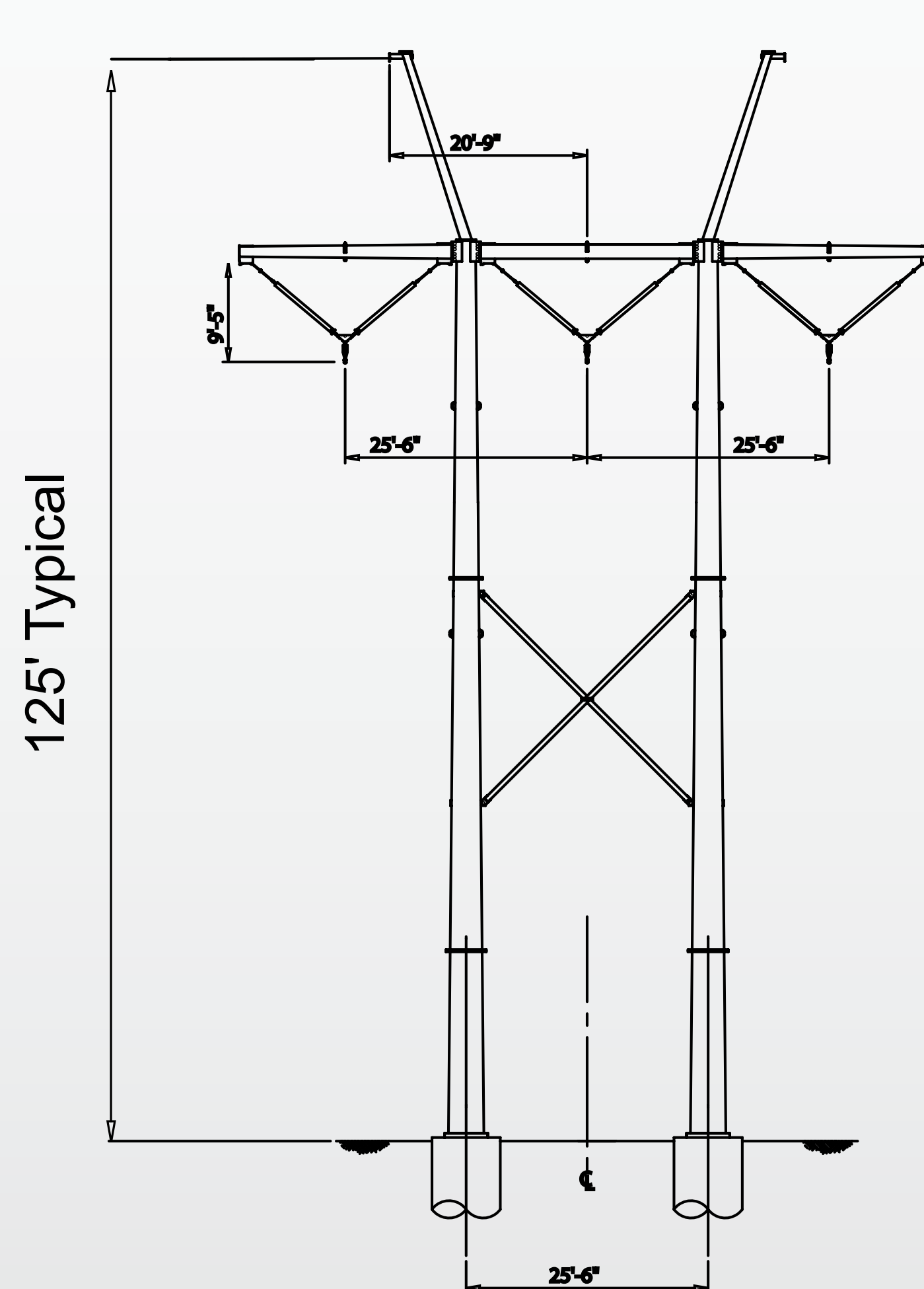
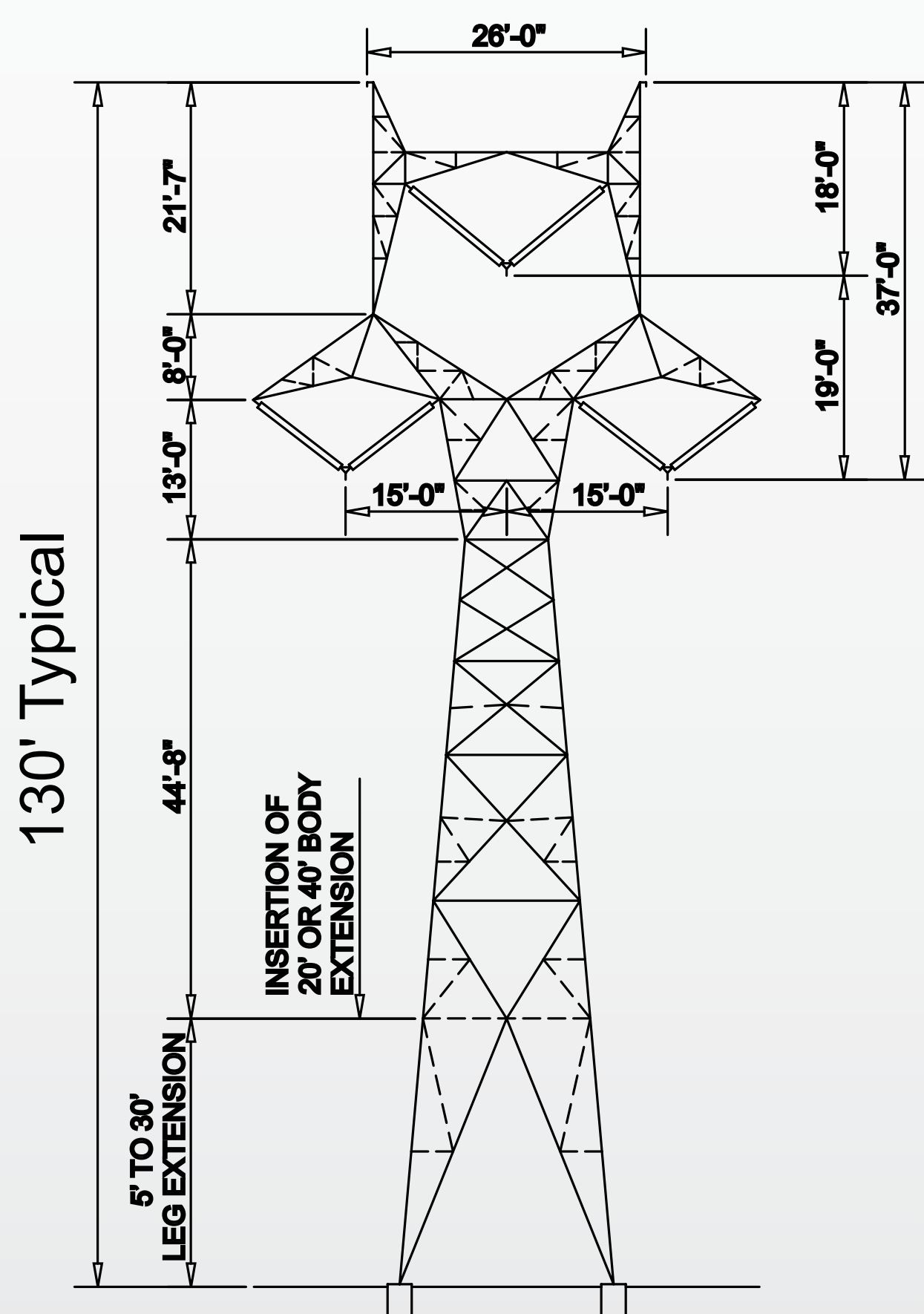
Lattice Tower



H-Frame



Single Pole



Nebraska Public Power District
Always there when you need us