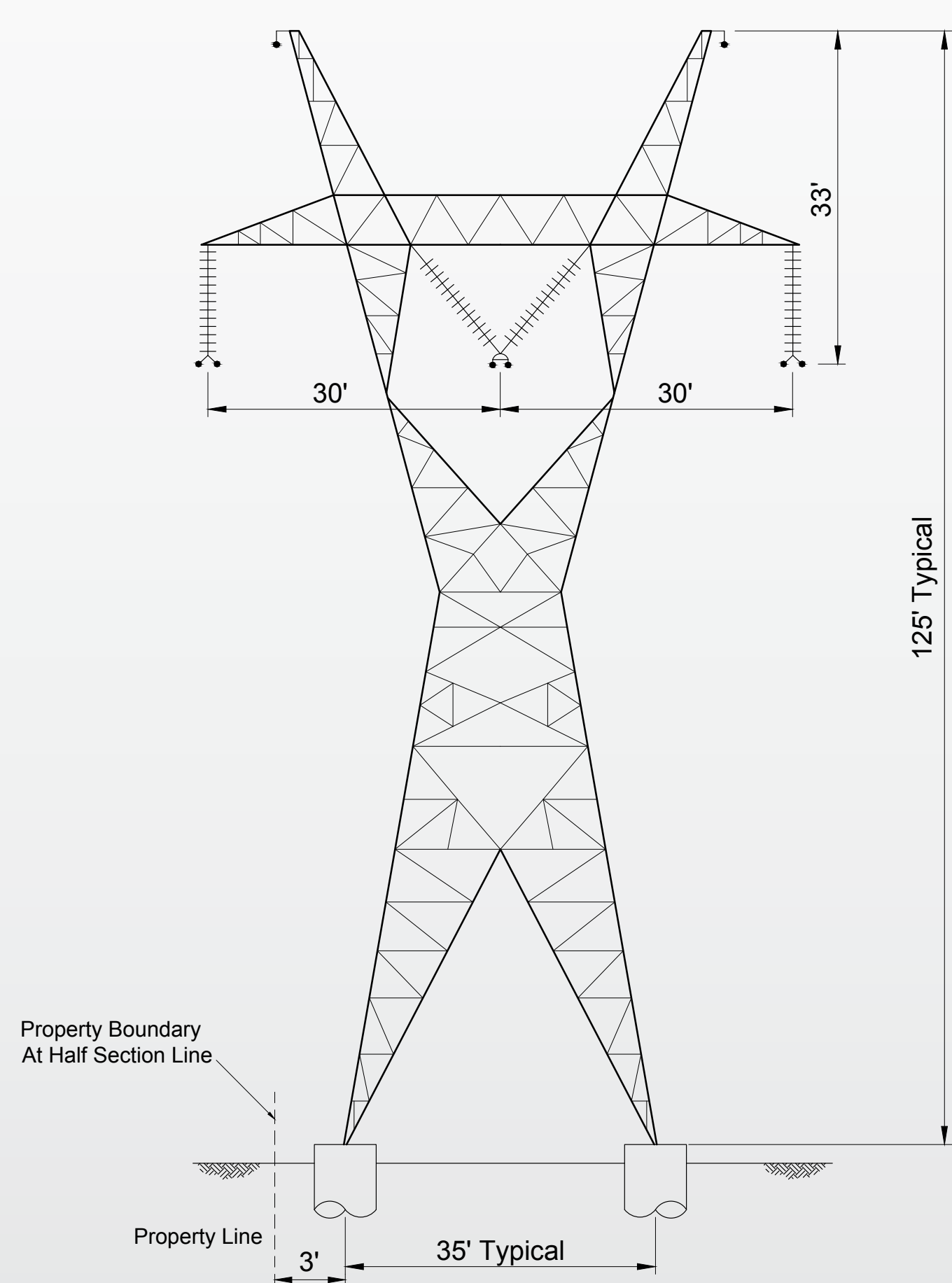
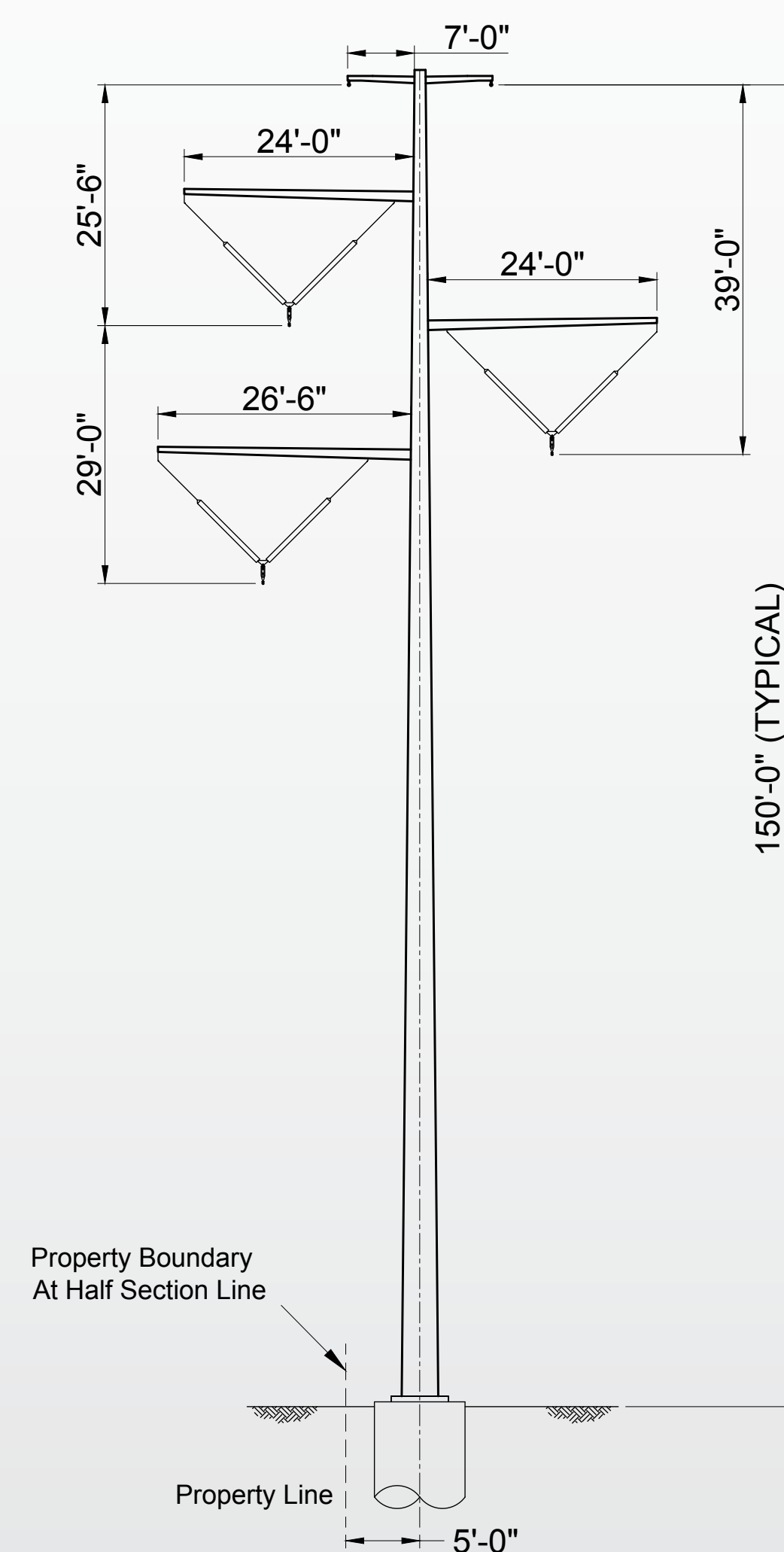


# Typical 345 kV Single Circuit Structure Types

## Lattice Tower



## Single Pole



Nebraska Public Power District  
Always there when you need us